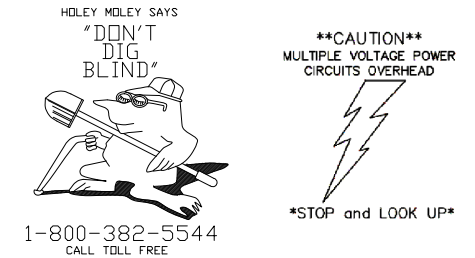


TYPICAL DETAILS OF PROPOSED STRUCTURES:

PEARCE ENGINEER: ASHWANI KHADELWAL

CONTACT NUMBER: 469-480-0501



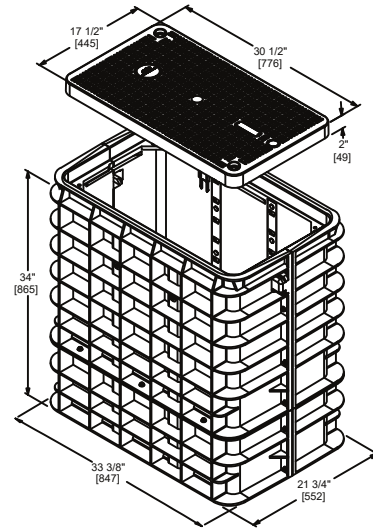
OVERLASH ON EXISTING AERIAL LEAD

ALL FACILITIES NOT PERTAINING TO THIS WORK ORDER HAVE BEEN DELETED FOR CLARITY

FTR ENGINEER: CHUCK MCKEAN 219-531-6947
FTR INSPECTOR: ROGER BARTON 574-596-3037

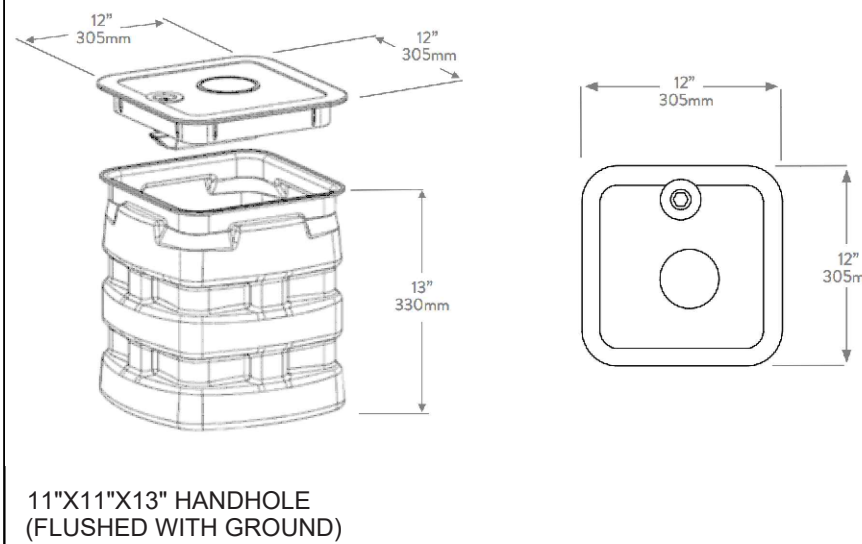
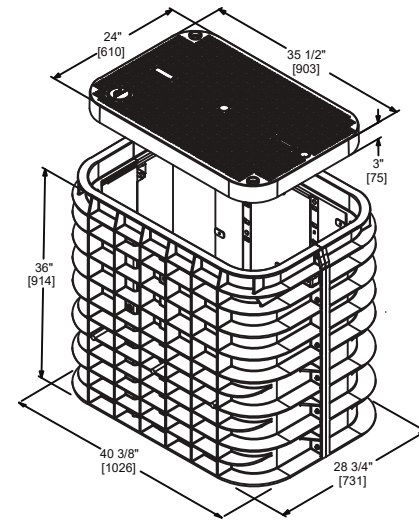
BODY SPECIFICATIONS 17" X 30" (FLUSHED WITH GROUND)

Cover Weight 26 lbs [12 kg]
Pit Weight 63 lbs [29 kg]
Assembled Weight 89 lbs [41 kg]



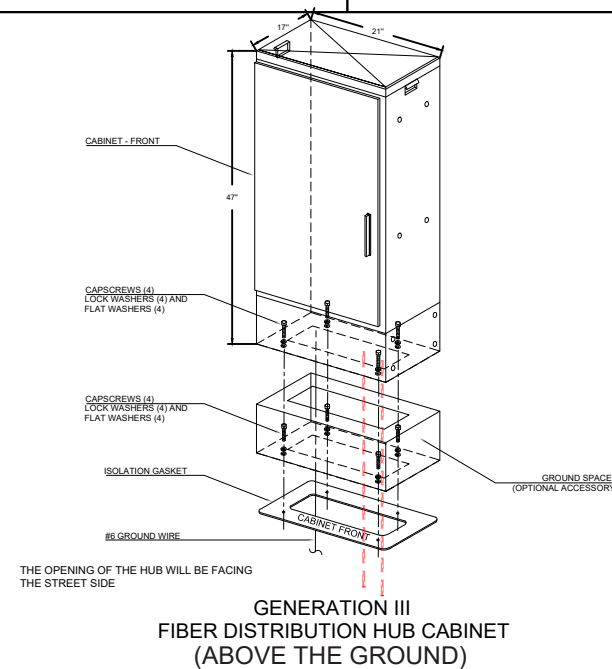
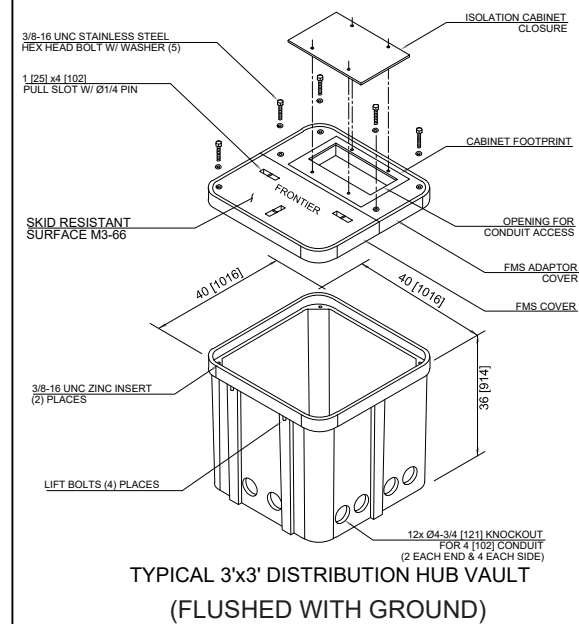
BODY SPECIFICATIONS 24" X 36" (FLUSHED WITH GROUND)

Cover Weight 50 lbs [23 kg]
Pit Weight 82 lbs [37 kg]
Assembled Weight 112 lbs [60 kg]



UNITS / ACCT CODES

REVISIONS



THTN 2023 FTTH H3003 115 E BOW ST
304 SFU

PROJECT NUMBER: 2510650 C.O AREA: THORNTOWN EXCH. CODE:

DRAWN DATE: 11/3/2023	ENGR: CHUCK MCKEAN PHONE: 219-531-6947	CNTY: BOONE FILE:
SCALE: 1:50	TAX DISTRICT:	DWG: SS OF SS
TWNSHP: 20	RNG:2W	SEC: 35

SS